

Rubix 6032

Model number:

105705

Dimensions: 60" x 32" x 18"

Installation: Alcove

Material: Acrylic



Standard Features:

- Rectangular shape bathtub in alcove installation
- Available in Above-the-Floor Rough (AFR) or not
- Right or left-hand drain
- Cubic design
- Integrated flat skirt and integrated tiling flange

Product characteristics:

- Elegant design
- Integrated Tiling Flange and Skirt
- Maximized Bathing Well

Warranty:

25 Years

Standard colors:



White (001)



Bone (004)



Biscuit (007)

Certifications

MAAX products adhere to one or more of the following certifications:



Recommended products (Visit our website for a complete list of our recommended doors)

No	Description
105409	Mika Sliding Tub Door 54 - 59 ½ x 55 in.
105410	Polar Sliding Tub Door 54-59 ½ x 57 # in.
134661	Kameleon SC Sliding Tub Door 55-59 x 57 in. 6 mm

Options (Visit our website for a complete list of our options)

No	Description
<input type="checkbox"/> OPT 20137	Cable-operated waste and overflow

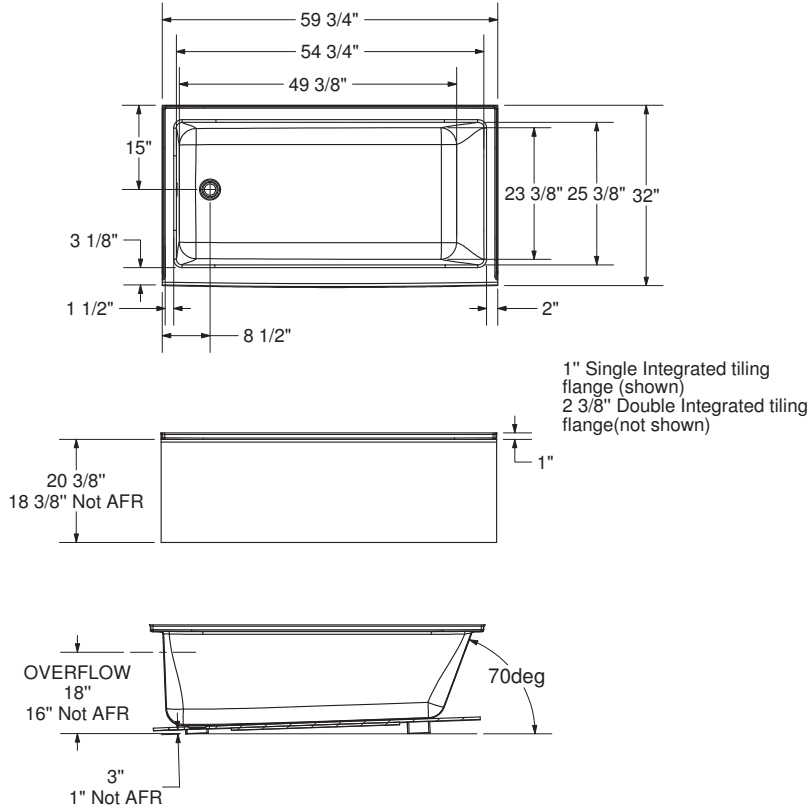
Rubix 6032

Model number: 105705

Dimensions: 60" x 32" x 18"

Installation: Alcove

Material: Acrylic



Dimensions:
59 3/4 x 32 x 18 3/8 in. (1518 x 813 x 457 mm)
Weight:
80 lbs -
Drain location:
Left
Right

Wood support design may vary.
 Single Integrated tiling flange: 1" height x 1/4" thickness (shown)
 All dimensions are approximate. Structure measurements must be verified against the unit to ensure proper fit.

Project:

Contractor:

Representative:

Date:

Tel:

Notes: